

SPECIFICATIONS:

PUMP ACTION 12GA

2-3/4" CHAMBER

6-3/4 LBS 20" BBL

14" PULL 5 SHOT TUBE

39-3/8" OVERALL LENGTH

STANDARD SCREW-IN CHOKES

BLUE STEEL, AMERICAN BLACK WALNUT STOCK & FOREND

FIREARMS SAFETY RULES

Please read and observe these safety rules before handling your firearm.

Remember that firearm safety is your responsibility. Firearms can be dangerous and can potentially cause serious injury or death and damage to property if handled improperly. An accident is almost always the result of not following the basic safety rules.

1. Always keep the muzzle pointed in a safe direction at all times.
Never point your gun at anything you do not intend to shoot.
2. Treat every firearm as it is loaded - it may be! Always keep your firearms unloaded when not in use.
3. Never touch the trigger on firearms until you intend to shoot.
4. Keep the hammer on half-cock at all times except when you are sure a shot is imminent. Half cock is not to be used in place of proper safe use. The half cock notch is only to prevent accidental discharge if during cocking the hammer slips from the thumb. Do not carry the gun in the half cock position.
5. While loading and unloading, make sure the firearm is pointed in a

safe direction and your finger is off the trigger.

6. Be sure of your target and what is beyond it. Be certain of where your shot will stop.
7. Make sure you use the correct ammunition for your firearm. Incorrect ammunition gauge or length can destroy your firearms. Never load 20 Gauge shells into a 12 Gauge firearm. A dangerous condition occurs when the 20 Gauge shell fills the barrel causing an obstruction, resulting in injury or death to the shooter and those nearby.
8. Never use improper reloaded ammunition or ammunition made of unknown components.
9. Be sure the barrel is clear of any obstruction before loading. Make sure to check the barrel every time before reloading.
10. Store firearms and ammunition separately, beyond the reach of children.
11. Always wear eye and ear protection when shooting.
12. Do not alter or modify the trigger or other mechanism of your firearm. Have your firearm serviced regularly.
13. Avoid alcoholic beverages or drugs before or during shooting.
14. If you do not thoroughly understand the proper use and maintenance of your firearm, seek advice from a knowledgeable gunsmith.

TO FILL THE MAGAZINE

Press the shells, one by one, upward against the carrier and forward into the magazine until you hear a click and the shell is held by the shell stops.

TO EMPTY THE MAGAZINE

Press inward on the buttons at the right and left sides of the receiver,

allowing the cartridges to escape to the rear of the magazine.

After unloading, make sure chamber and magazine are fully unloaded.

TO OPERATE THE GUN

1. Draw the action slide completely back, then forward. This cocks the hammer, carries a shell into the chamber and leaves the gun ready to fire.
2. When carrying, it is best to unload your shotgun's chamber. This is done by pressing the button on the right of the receiver opening the bolt by pulling the action slide rearward until the chambered round is ejected. Remove the shell from the carrier and close the bolt on the empty chamber. The round removed can be placed back into the magazine. Drop the hammer making sure the gun is pointed in a safe direction.
3. The gun can be fired by working the action bar to load a shell into the chamber and fire.

TO OPEN WHEN COCKED

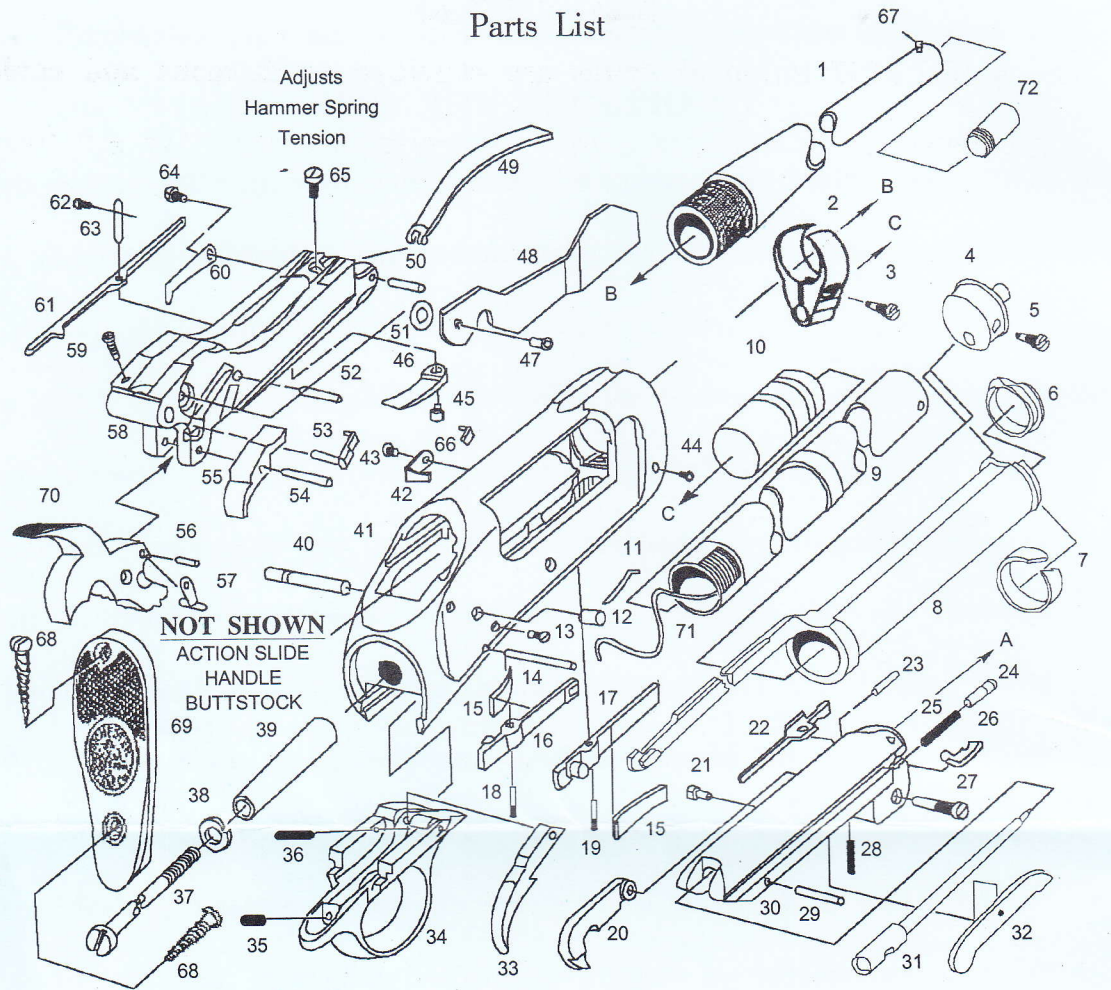
Press inward on the release button on the right of receiver, near the hammer. Push slide handle slightly forward, then operate as above.

NOTE: This firearm differs from other similar shotguns in that it can be fired by holding the trigger to the rear and working the action bar, each time a shell is loaded it will fire, known as "slam fire".

Care must be taken for safety, as this gun will fire anytime the trigger is pulled as the gun is loaded.

MODEL 1897 PUMP SHOTGUN

Parts List



- | | | | |
|--|-------------------------------------|---------------------------------------|--|
| 1. Barrel | 17. Right cartridge stop | 36. Trigger spring | 54. Sear pin |
| 2. Magazine band | 18. Cartridge stop screw, left | 37. Buttstock bolt | 55. Sear |
| 3. Magazine band bushing screw | 19. Cartridge stop screw, right | 38. Buttstock bolt washer | 56. Hammer stirrup pin |
| 4. Magazine plug | 20. Action slide hook | 39. Receiver shank | 57. Hammer stirrup |
| 5. Magazine plug screw | 21. Firing pin lock screw | 40. Carrier pin | 58. Carrier |
| 6. Action slide sleeve screw stop | 22. Extractor, left | 41. Receiver | 59. Carrier pin stop screw |
| 7. Action slide spring | 23. Extractor pin, left | 42. Ejector spring | 60. Action slide lock spring |
| 8. Action slide | 24. Extractor plunger, right | 43. Ejector spring screw | 61. Action slide lock |
| 9. Magazine tube | 25. Extractor plunger spring, right | 44. Magazine tube retaining screw | 62. Action slide lock joint pin stop screw |
| 10. Magazine follower | 26. Extractor, right | 45. Sear spring screw | 63. Action slide lock joint pin |
| 11. Action slide lock release plunger pin spring | 27. Action slide hook screw | 46. Sear spring | 64. Action slide lock spring screw |
| 12. Action slide lock release plunger pin | 28. Firing pin lock spring | 47. Cartridge guide rivet | 65. Main spring strain screw |
| 13. Cartridge guide stop screw | 29. Firing pin stop pin | 48. Cartridge guide | 66. Ejector pin |
| 14. Trigger pin | 30. Breech bolt | 49. Main spring | 67. Front sight |
| 15. Cartridge stop spring (2) | 31. Firing pin | 50. Mainspring pin | 68. Buttplate screw (2) |
| 16. Left cartridge stop | 32. Firing pin lock | 51. Cartridge guide friction spring | 69. Buttplate |
| | 33. Trigger | 52. Hammer pin | 70. Hammer |
| | 34. Guard bow | 53. Action slide lock release plunger | 71. Magazine spring |
| | 35. Trigger stop screw | | 72. Choke |