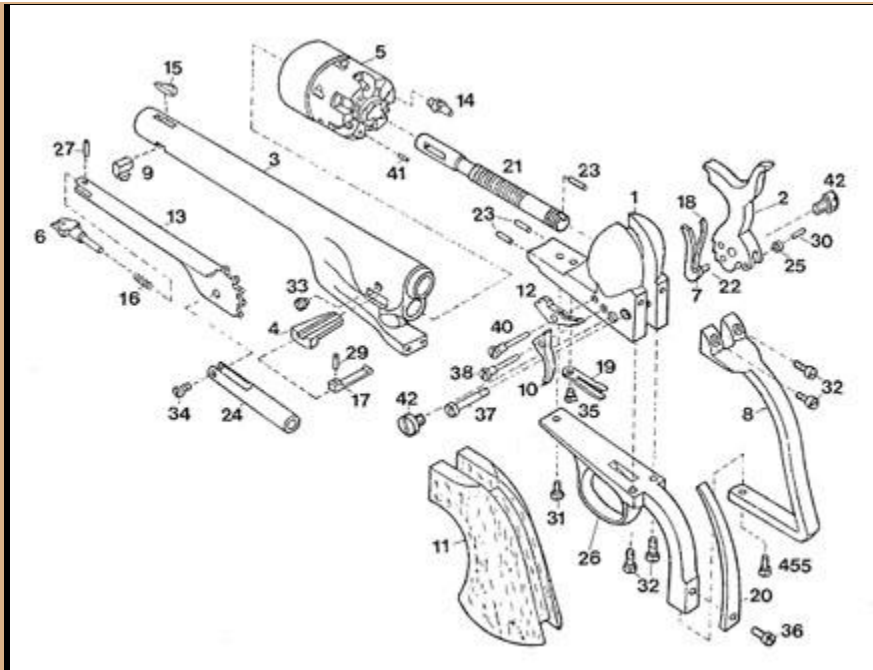


1860 Army Revolver



N.	Code No.	Q.ty	Description
1	0040001	1	Frame Assembly
2	0000002	1	Hammer Assembly
3	0040003	1	Barrel
4	0000004	1	Wedge Assembly
5	0040005	1	Cylinder Assembly
6	0000006	1	Loading Lever Latch
7	0000007	1	Hand Assembly
8	0040008	1	Backstrap Steel
9	0000009	1	Barrel Stud
10	0000010	1	Trigger
11	0040011G	1	Rough Grip
11	0040011	1	Polished Grip
12	0000012	1	Bolt
13	0040013	1	Loading Lever
14	0000014	6	Nipple

15	0040015	1	Sight
16	0000016	1	Loading lever latch spring
17	0000017	1	Wedge Spring
18	0000018	1	Hand Spring
19	0000019	1	Trigger Bolt Spring
20	0000020	1	Mainspring
21	0000021	1	Base Pin
22	0000022	1	Hand Pin
23	0000023	3	Barrel Pin
24	0040024	1	Plunger
25	0000025	1	Roller
26	0040026	1	Triggerguard Brass
27	0000027	1	Loading Lever Latch Pin
29	0000029	1	Wedge Pin
30	0000030	1	Roller Pin
31	0070031	1	Front Triggerguard Screw
32	0000032	5	Backstrap and Triggerguard Screw
33	0000033	1	Wedge Screw
34	0040034	1	Plunger Screw
35	0400035	1	Trigger Bolt Spring Screw
36	0000036	1	Main Spring Screw
37	0000037	1	Hammer Screw
38	0000038	1	Trigger Screw
40	0000040	1	Bolt Screw
41	0000041	6	Cylinder Pin
42	0040042	2	Shoulder Stock Screw
455	0040455	1	Connect Screw