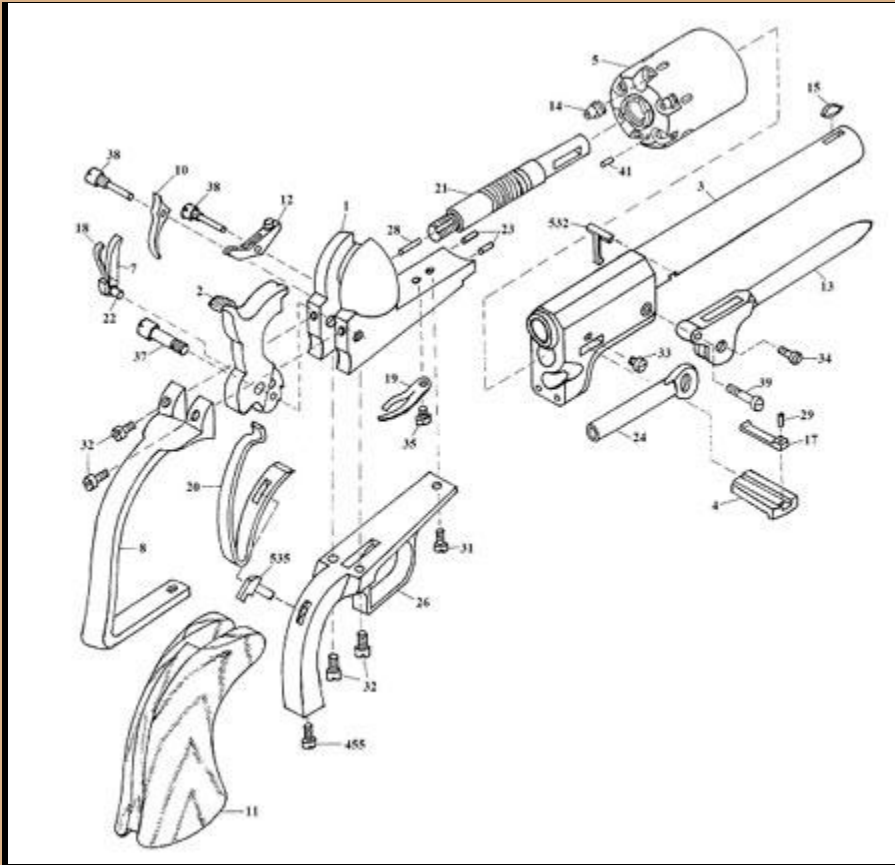


Code 0020 - Walker Revolver



Number	Code Number	Q.ty	Description
1	0020001	1	Frame Assembly
2	0020002	1	Hammer
3	0020003	1	Barrel
4	0020004	1	Wedge Assembly
5	0020005	1	Cylinder Assembly
7	0080007	1	Hand Assembly
8	0020008	1	Backstrap
10	0080010	1	Trigger
11	0020011G	1	Rough Grip
11	0020011	1	Polished Grip

12	0020012	1	Bolt
13	0020013	1	Loading Lever
14	0080014	6	Nipple
15	0040015	1	Sight
17	0080017	1	Wedge Spring
18	0080018	1	Hand Spring
19	0080019	1	Trigger Bolt Spring
20	0020020	1	Main Spring
21	0020021	1	Base Pin
22	0080022	1	Hand Pin
23	0080023	3	Barrel Pin
24	0020024	1	Plunger
26	0020026	1	Triggerguard Assembly
28	0000023	1	Base Pin Lock Pin
29	0080029	1	Wedge Pin
31	0080031	1	Front Triggerguard Screw
32	0080032	4	Backstrap and Triggerguard Screw
33	0080033	1	Wedge Screw
34	0080034	1	Plunger Screw
35	0080035	1	Trigger Bolt Spring Screw
37	0080037	1	Hammer Screw
38	0020038	2	Trigger Bolt Screw
39	0020039	1	Loading Lever Screw
41	0000041	1	Cylinder Pin
455	0080031	1	Connect. Screw
532	0020532	1	Loading Lever Latch
535	0020535	1	Main Spring Latch